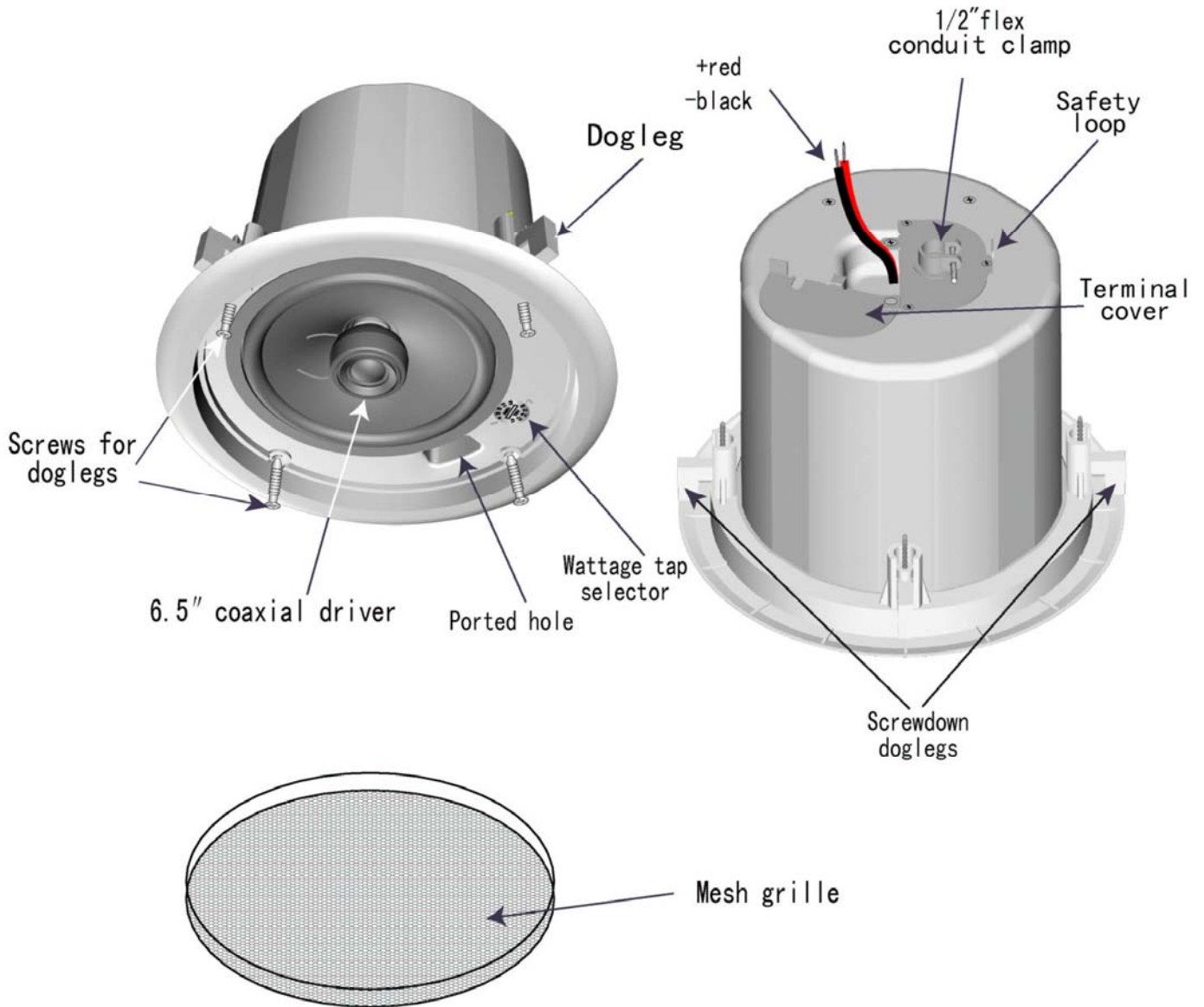


RC-161 Ceiling Speaker

Thank you for selecting this RADIANT high-performance speaker. RADIANT has gained an enviable track record providing professionals with audiophile-quality speakers for commercial installations.

Product feature identification



Contents of carton

- (1) installation guide
- (2) speaker assemblies with grilles
- (3) sets support rails
- (4) "C"rings
- (5) installation templates

Tools needed

These instructions are for installing the RC-161 Ceiling Speaker into conventional gypsum drywall "wallboard" or drop-tile ceilings. The process is extremely easy and requires a minimum of tools.

PENCIL for marking around template

HOLE SAW for cutting speaker holes

WIRE STRIPPER for preparing speaker wires

SCREWDRIVER

Fast-track "express" instructions

We urge you to read this Installation Guide carefully. However, if you're an experienced commercial installer or just impatient, here's the short version:

1. Select the speaker location, checking for the position of ceiling joists and the location of electrical and plumbing conduits.
2. Mark cut-out hole outlines with the included cardboard template.
3. Cut hole in the ceiling.
4. Run speaker wire and connect to input terminals.
5. If required, wire safety loop to building structure.
6. Install speaker assembly into cut-out hole and secure by tightening dogleg screws. **BE SURE NOT TO TIGHTEN TOO FAST OR TOO TIGHT!**
7. Press on the speaker grille cover.

Step 1

Use the supplied template to scribe and then cut the hole for the speaker. Pull the wire through the cutout hole.

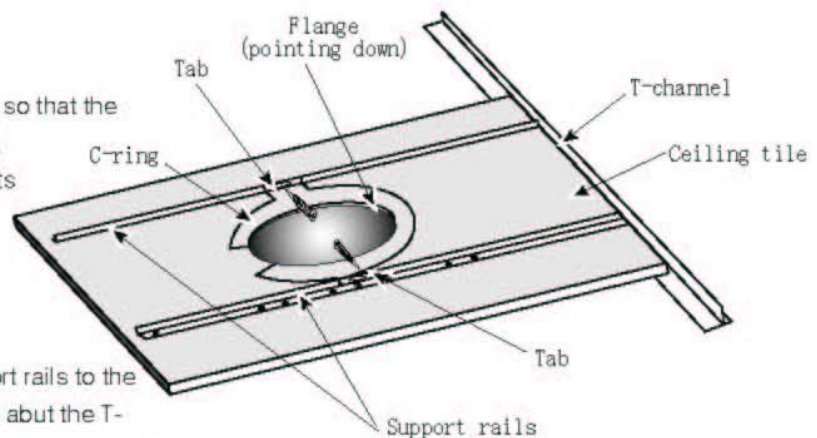
Step 2

A. Sheetrock ceiling

Insert the C-ring through the hole so that the two tabs face away from the hole, and the flange on the C-ring points down through the hole in the sheetrock.

B. Drop-tile ceiling

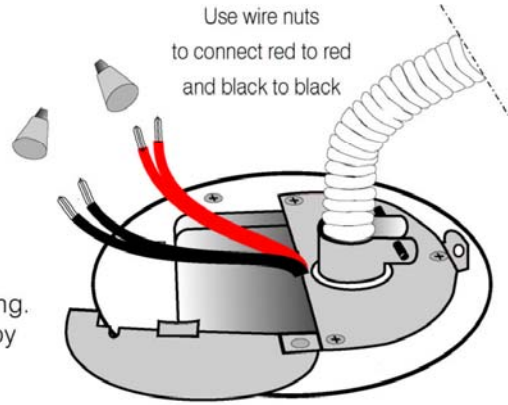
After Step A, attach the two support rails to the C-ring, and adjust so that the rails abut the T-channel grid. Use sheetmetal screws to secure the support rails to the C-ring.



NOTE: If the rough-in bracket is used, it is not necessary to use the C-ring or support rails as shown in Step 2. Instead, in Step 4 below, use the doglegs to attach the speaker to the rough-in bracket instead of the C-ring.

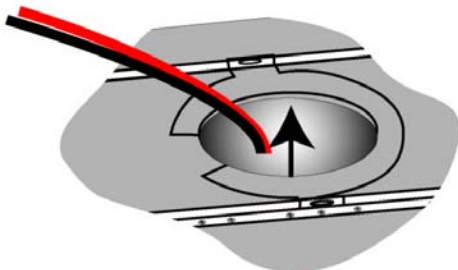
Step 3

Using a screwdriver, loosen the screw holding the terminal cover, and slide open. Slide the wire through the conduit clamp, then strip 3/8" off the end of the wire insulation. Using wire nuts, attach the wire to the speaker wires that protrude through the top of the speaker can, making sure to connect positive (red) to positive, and negative (black) to negative. Tighten down the conduit clamp. The safety loop is for securing the loudspeaker to the building structure with wire cabling. This will provide a secondary support where required by code or in seismic areas. Slide the cover closed.

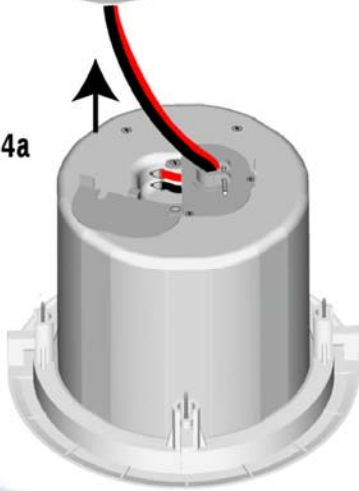


Step 4

(a) Insert and center the speaker into the ceiling opening. Make sure all four doglegs rest on the C-ring. **(b)** Tighten down the four doglegs by turning the screws, located on the driver side of the baffle, clockwise.



Step 4a



Step 4b

BE SURE NOT TO TIGHTEN TOO FAST OR TOO TIGHT!

Step 5

Using a screwdriver, adjust the wattage tap selector switch to the desired setting. The slot in the switch shaft indicates the position of the switch. (The illustration shows the switch at its lowest setting.)



Step 6

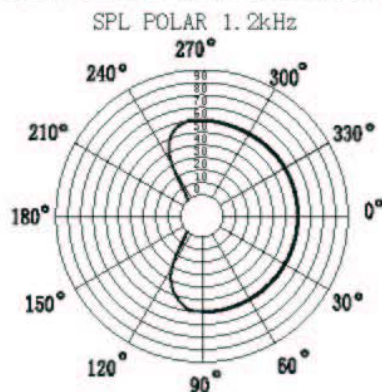


Insert the metal grille. The grille will friction-mount into place, and is additionally secured with a rubberized compound. Make sure the grille is flush with the speaker bezel.

FEATURES

- Full-range 6.5" coaxial speaker
- .04" drawn steel enclosure
- Bass reflex
- ABS baffle
- Paintable grille
- Easy installation, new and retrofit
- 70/100 volt transformer, 8 Ω Thru (selector switch)

ACOUSTICAL SPECIFICATIONS



SPECIFICATIONS

- Frequency Response 60 Hz - 20kHz
- Sensitivity 89 dB, 1 Watt/ 1 meter
- 70 V Transformer, 30 W Taps: 1.9, 3.7, 7.5, 15, 30
- 100V Transformer, 30 W Taps: 3.8, 7.5, 15, 30
- Crossover Frequency 6 kHz first order
- 8 Ω Thru
- LF Driver 6.5" PP cone, butyl rubber surround.
- HF Driver .75" sealed ferrofluid soft dome, NeFeB magnet
- Dimensions 10.24" diameter, 7.40" deep
- Net Weight 7.71lb

