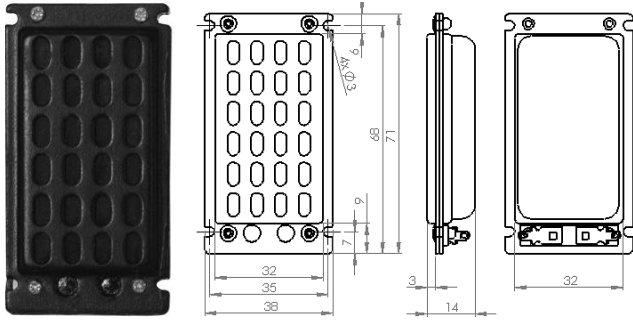


LT2

HF Planar ribbon transducer

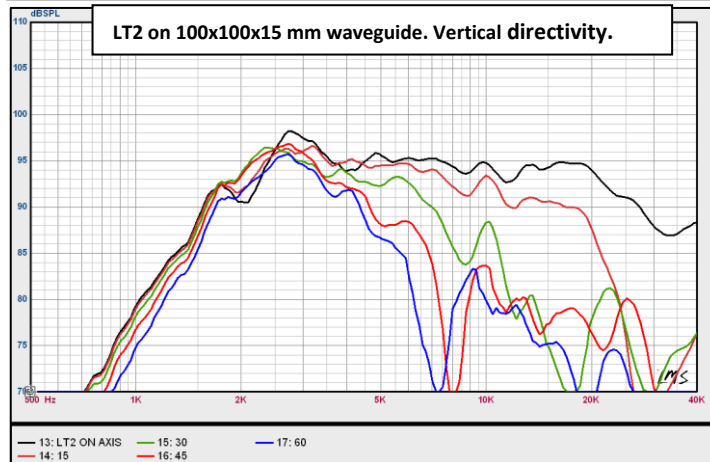
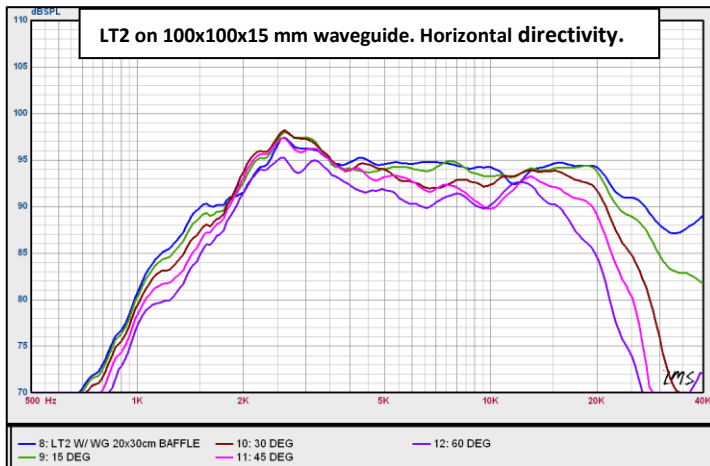
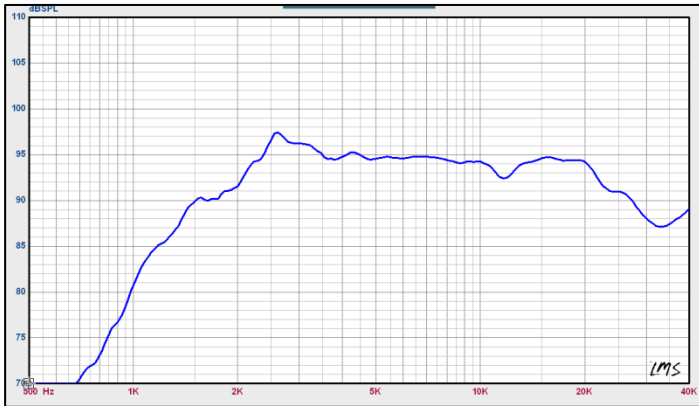
Preliminary



- Neo magnets and Kapton diaphragm
- extremely smooth response, extended HF up to 40kHz
- superior sonic transparency and resolution
- extremely wide and even horizontal dispersion
- reliable design for long term operation
- environmental protection

SPECIFICATIONS

Nominal size	2.8"/71mm
Radiating configuration	
Closed back (with rear cup)	standard
Dipole (open back)/ custom cup	optional
Rated impedance	8 Ω
Power handling, AES ¹	15 W
Long-term maximum power, IEC ¹	25 W
Short-term maximum power, IEC ¹	50 W
Sensitivity ² , 1W/1m	95 dB
Effective frequency range ³	2 kHz – 40 kHz
Horizontal coverage angle ⁴	150 deg
Vertical coverage angle ⁴	60 deg
Diaphragm	Kapton
Current carrying conductors	Aluminum foil
Displacement limit for VC	0.4 mm
Minimum impedance = Re (inductive component is absent)	Impedance is predominantly constant @ Re= 5.9 Ω
Magnet material	Neodymium
Driver plates material	Powder coated steel
Recommended minimum XO point 12dB/Oct. 6 dB/Oct.	3 kHz 4 kHz
Net weight	50 g (0.11 lb.)



1. AES refers to AES2-1984 Rev.2003. IEC refers to IEC 60268-5. AES power handling tested using IEC60268-1 noise signal for duration of 2 hours in effective frequency range in free air.
2. Specified number is calculated based on measured response data at 1m/2.83V averaged within 2.5 kHz- 10 kHz range. Driver mounted on a shallow waveguide 100x100x15 mm size and tested in 20x30 cm baffle.
3. Measured in accordance with IEC 60268-5, defined at -10 dB below SPL averaged in 2.5 kHz- 5 kHz range. Realistic operation limitations are considered when determining lower range of useful application.
4. Coverage angle defined at -6dB, averaged on octave band points in 2 kHz- 20 kHz range. Driver mounted on a shallow waveguide (100x100x15 mm) and tested in 20x30 cm baffle. Vertical directivity is estimated within 2 kHz- 10 kHz range.